

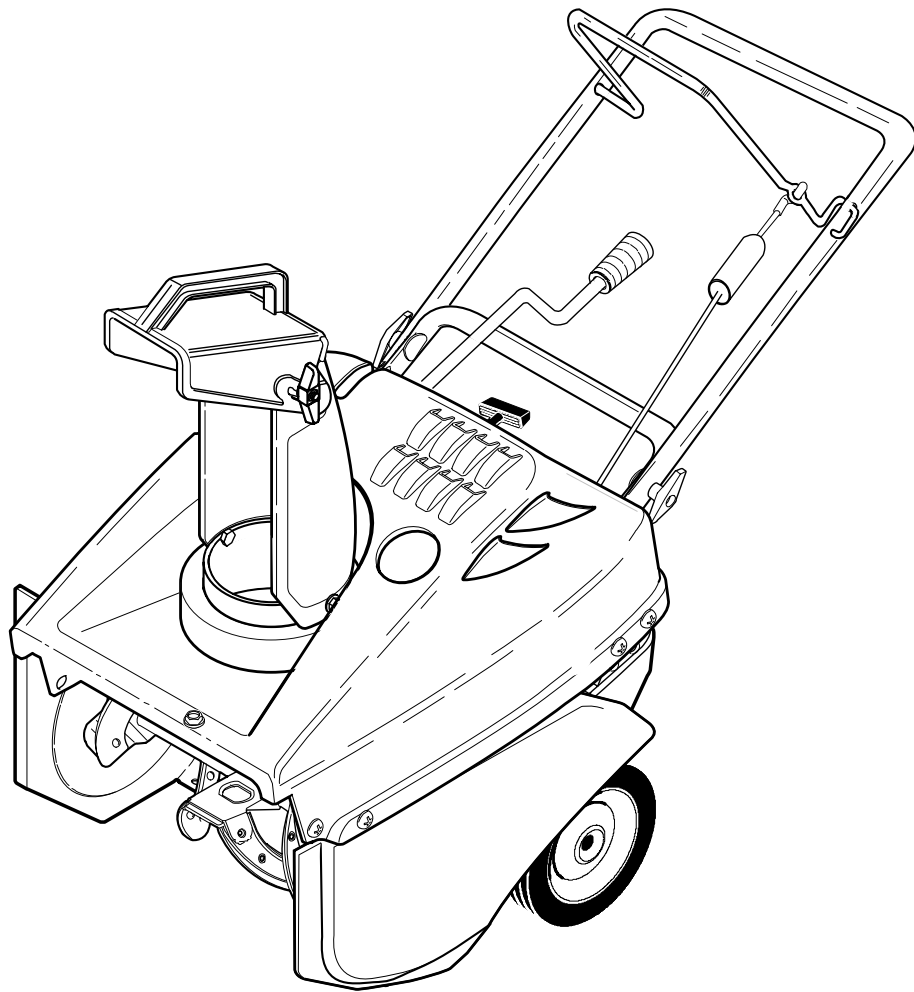


Parts Manual

Models

5021 R (531309638) 6210530X37NA

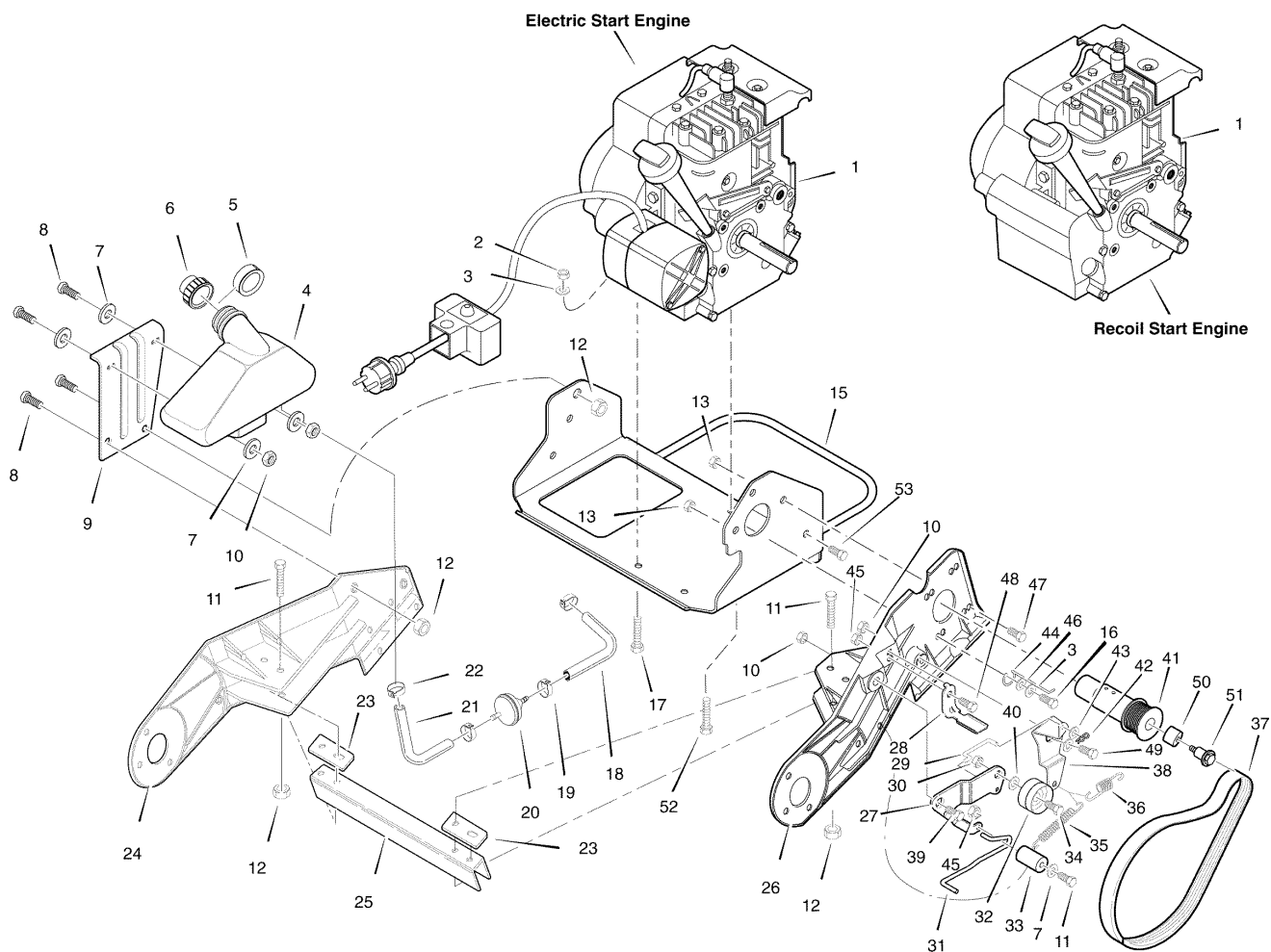
5021 E (531309639) 6210540X37NA



Engine And Frame Assembly

0003

NOTE: Unless noted otherwise,
use the standard hardware torque
specification chart.



The above parts group applies to the following Mfg. Nos.:

- 6210530x37NA 5021R
- 6210540x37NA 5021E

Engine And Frame Assembly

REF NO	PART NO.	DESCRIPTION
1	----	ENGINE (09A413-0202-E1 FOR MODEL NO. 6210540X37NA-ELECTRIC STARTER)
1	----	ENGINE (09A412-0267-E1 FOR MODEL NO. 6210530X37NA-RECOIL STARTER)
2	601 50 51 29	NUT, 5/16-18
3	601 40 00 79	WASHER, SPLIT LOCK .31 X .58 X .08
4	601 50 51 30	TANK, FUEL 1.5 QT
5	601 50 51 31	RING, FOAM FUEL TANK
6	601 50 51 32	FUEL CAP
7	601 40 00 80	WASHER, FLAT .281 X .63. X .065
8	601 50 51 33	SCREW, 1/4-20 X 0.75
9	601 50 51 34	BRACKET, FUEL TANK
10	601 00 14 19	NUT, 8-32 HEX KEPS
11	601 00 13 48	SCREW, 1/4-20 X 2.00
12	601 50 51 35	NUT, 1/4-20 HEX
13	601 40 00 85	NUT, 5/16-18 HEX CONTROL LOCK
15	601 50 51 36	CRADLE, WELDMENT
16	601 00 00 73	BOLT, 5/16-18 X 0.75
17	601 50 51 37	BOLT, HEX .31-18 X 1.62
18	601 50 51 38	HOSE, FUEL
19	601 00 17 79	CLAMP, HOSE
20	601 50 51 39	FILTER- FUEL
21	601 50 51 38	HOSE, FUEL
22	601 40 00 65	CLAMP, SCREW TYPE
23	601 50 51 41	PLATE, SUPPORT
24	601 50 51 42	FRAME, RIGHT HAND
25	601 50 51 43	CHANNEL, FRAME SUPPORT
26	601 50 51 44	FRAME, LEFT HAND
27	601 00 13 31	ARM, IDLER BLACK
28	601 00 16 94	BRAKE PAD
29	601 00 13 37	ROD, CLUTCH LINKAGE
30	601 40 00 75	NUT, 3/8-16 JAM CONTROL LOCK
31	601 50 51 45	WIRE, BRAKE
32	601 00 13 33	PULLEY, IDLER
33	601 50 51 46	PINCH ROLLER
34	601 00 13 34	SCREW, 3/8-16 X 1.50
35	601 00 13 30	SPRING, EXTENSION .38 O.D. X .039 X 2.50
36	601 00 13 96	SPRING, EXTENSION .75 O.D. X .069 X 2.00
37	601 00 20 81	BELT
38	601 00 13 28	ARM, IDLER PIVOT
39	601 00 13 29	BOLT, SHOULDER .500 X .177
40	601 50 51 50	WASHER, FLAT .378 X .75 X .080
41	601 50 51 51	PULLEY, ENGINE
42	601 00 00 26	PIN, COTTER
43	601 00 05 33	WASHER, FLAT
44	601 50 51 64	GUIDE, BELT
45	601 40 00 86	NUT, 1/4-20 HEX CONTROL LOCK

Footnotes

The above parts group applies to the following Mfg. Nos.:

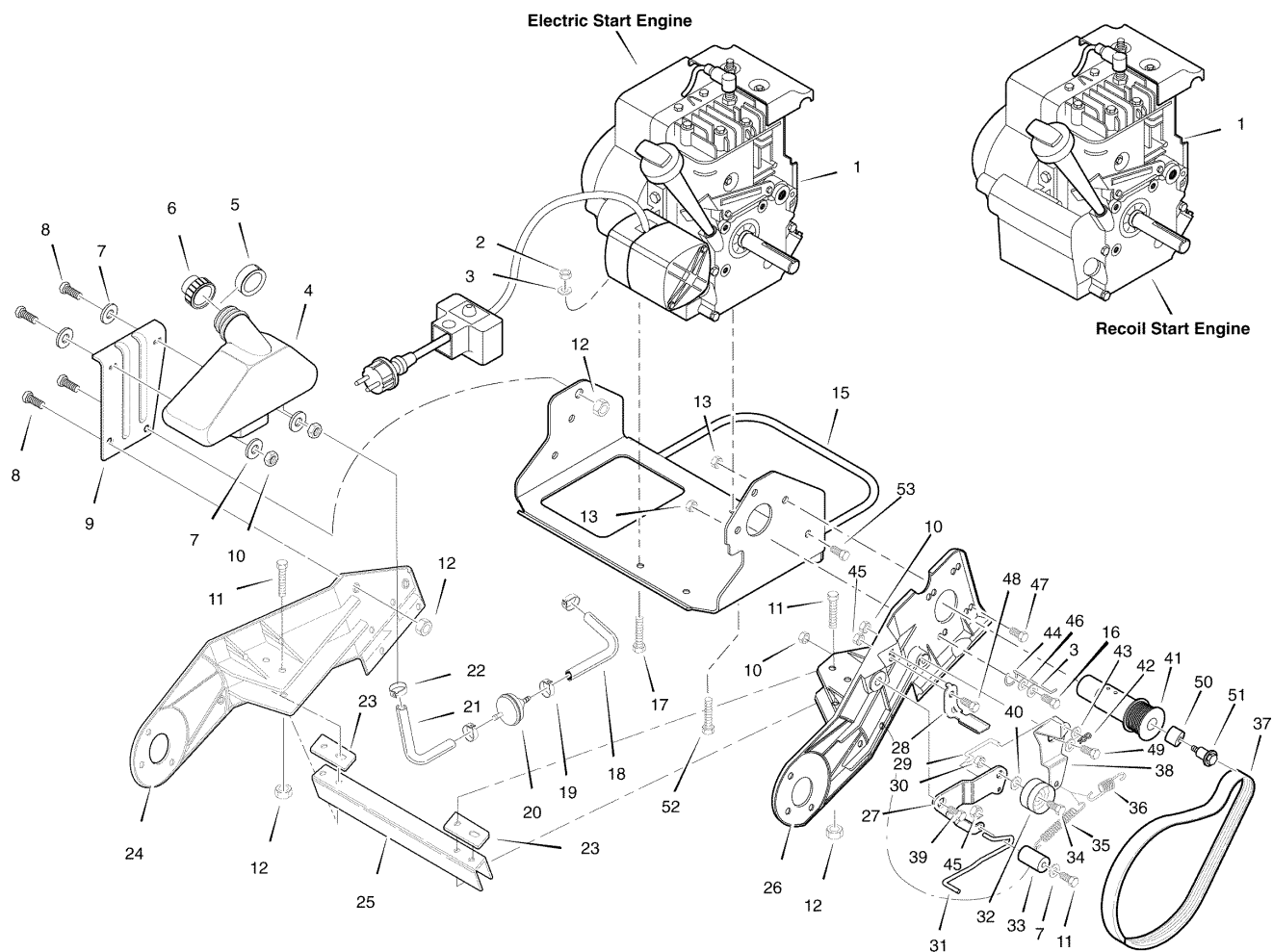
6210530x37NA 5021R

6210540x37NA 5021E

Engine And Frame Assembly

0003

NOTE: Unless noted otherwise,
use the standard hardware torque
specification chart.



The above parts group applies to the following Mfg. Nos.:

6210530x37NA 5021R

6210540x37NA 5021E

Engine And Frame Assembly

REF NO	PART NO.	DESCRIPTION
46	601 40 00 81	WASHER, FLAT .349 X .69 X .066
47	601 00 10 06	SCREW 5/16-18 X 0.63 WAHHC
48	601 40 00 73	SCREW, 1/4-20 X 0.63
49	601 00 14 18	SCREW, 8-32 X 3.00
50	601 50 51 61	SPACER, DRIVE PULLEY
51	601 50 51 62	BOLT, ENGINE PULLEY, 1/4-28 X 1.28
52	601 50 51 63	BOLT, 5/16-18 X 0.865
53	601 00 14 45	SCREW, .25-20 X .062 WASHER HEX HEAD TAPTITE

Footnotes

The above parts group applies to the following Mfg. Nos.:

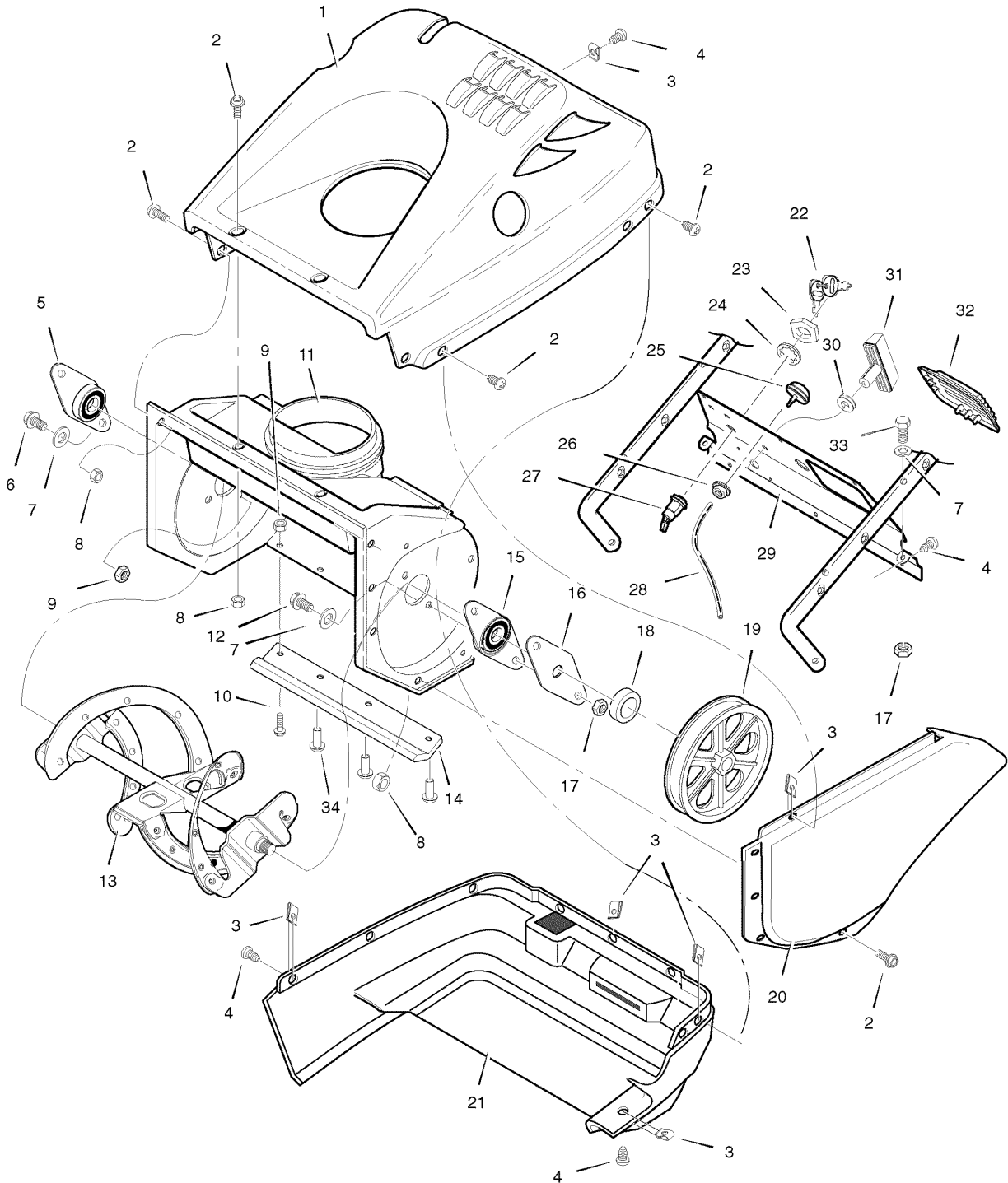
6210530x37NA 5021R

6210540x37NA 5021E

Auger And Control Assembly

0005

NOTE: Unless noted otherwise,
use the standard hardware torque
specification chart.



The above parts group applies to the following Mfg. Nos.:

6210530x37NA 5021R

6210540x37NA 5021E

Auger And Control Assembly

REF NO	PART NO.	DESCRIPTION
1	601 50 51 47	COVER, TOP
2	601 40 00 02	SCREW, #10-24 X 0.50
3	601 50 51 48	NUT, 1/4-10 SPEED J-TYPE
4	601 50 51 49	SCREW, 1/4-14 X 0.75
5	601 00 21 53	BEARING, FLANGE
6	601 50 51 52	SCREW, 1/4-20 X 1.00
7	601 40 00 80	WASHER, FLAT, .281 X .63 X .065
8	601 50 51 53	NUT, #10-24 HEX CONTROL LOCK
9	601 50 51 54	NUT, 1/4-20 HEX CONTROL LOCK
10	601 50 51 33	SCREW, 1/4-20 X 0.75
11	601 50 51 56	AUGER HOUSING ASSEMBLY
12	601 40 00 73	SCREW, 1/4-20 X 0.63
13	601 50 51 57	AUGER ASSEMBLY, COMPLETE
14	601 50 51 58	BLADE, SCRAPER
15	601 40 00 74	PLATE & BEARING ASSY
16	601 00 13 81	PLATE, RETAINER BEARING
17	601 40 00 86	NUT, 1/4-20 HEX CONTROL LOCK
18	601 00 20 87	SPACER, SLEEVE
19	601 00 20 95	PULLEY
20	601 50 51 59	COVER, BELT
21	601 50 51 60	COVER, BOTTOM
22	601 40 00 76	KEY SET
23	601 00 01 11	NUT, 5/8-32
24	601 40 00 44	WASHER, .640 X 1.1 X .05
25	601 50 51 89	PRIMER, CARBURETOR
26	601 00 01 02	NUT, 1/-20 HEX KEPS
27	601 00 13 58	SWITCH, IGNITION 45 DEGREE
28	601 50 51 65	HOSE, PRIMER 9.5"
29	601 50 51 66	PANEL, CONTROL
30	601 40 00 70	GROMMET & WASHER, ROPE
31	601 50 51 40	GRIP, STARTER ROPE
32	601 50 51 68	PANEL, ACCESS
33	601 50 51 69	SCREW, 1/4-20 X 1.25
34	601 00 13 78	RIVET, OFFSET, .25 X .61

Footnotes

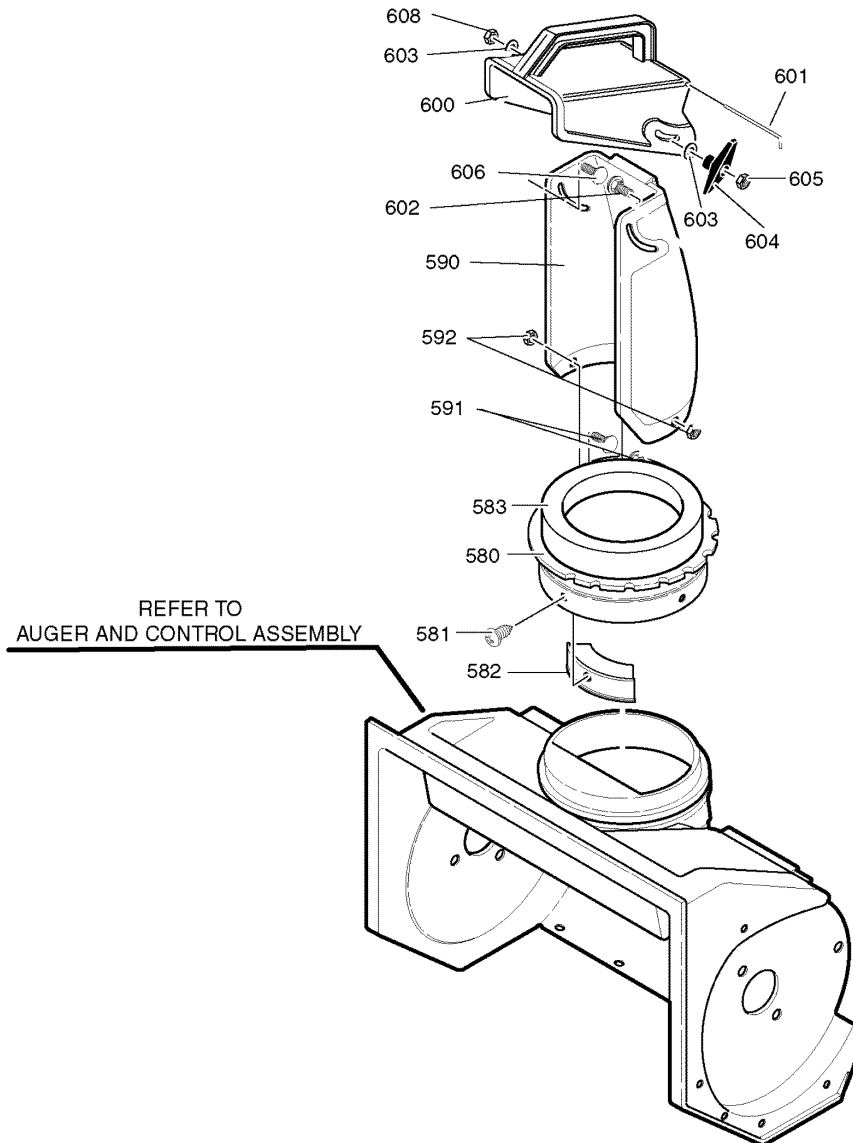
The above parts group applies to the following Mfg. Nos.:

6210530x37NA 5021R
6210540x37NA 5021E

Discharge Chute

0007

NOTE: Unless noted otherwise,
use the standard hardware torque
specification chart.



The above parts group applies to the following Mfg. Nos.:

6210530x37NA 5021R

6210540x37NA 5021E

Discharge Chute

REF NO	PART NO.	DESCRIPTION
580	601 50 51 87	CHUTE RING
581	601 50 51 88	SCREW, #10 X .50
582	601 00 13 86	GUIDE, CHUTE
583	601 50 51 90	DONUT, FOAM 21 PLAST A
590	601 50 51 91	CHUTE, DEFLECTOR LOWER
591	601 50 51 33	SCREW 1/4-20 X .75
592	601 50 51 54	NUT, 1/4-20, HEX CONTROL LOCK
600	601 50 51 94	CHUTE DELFECTOR, UPPER
601	601 00 13 89	WIRE FORM, HINGE 5.75
602	601 00 13 90	BOLT, 5/16-18 X 1.25 CARRIAGE
603	601 40 00 81	WASHER, FLAT .349 X .69 X .066
604	601 40 00 69	KNOB, WING
605	601 50 51 29	NUT, 5/16-18
606	601 00 20 38	SCREW, 5/16-18 X .75
608	601 40 00 85	NUT, 5/16-18, HEX CONTROL LOCK

Footnotes

The above parts group applies to the following Mfg. Nos.:

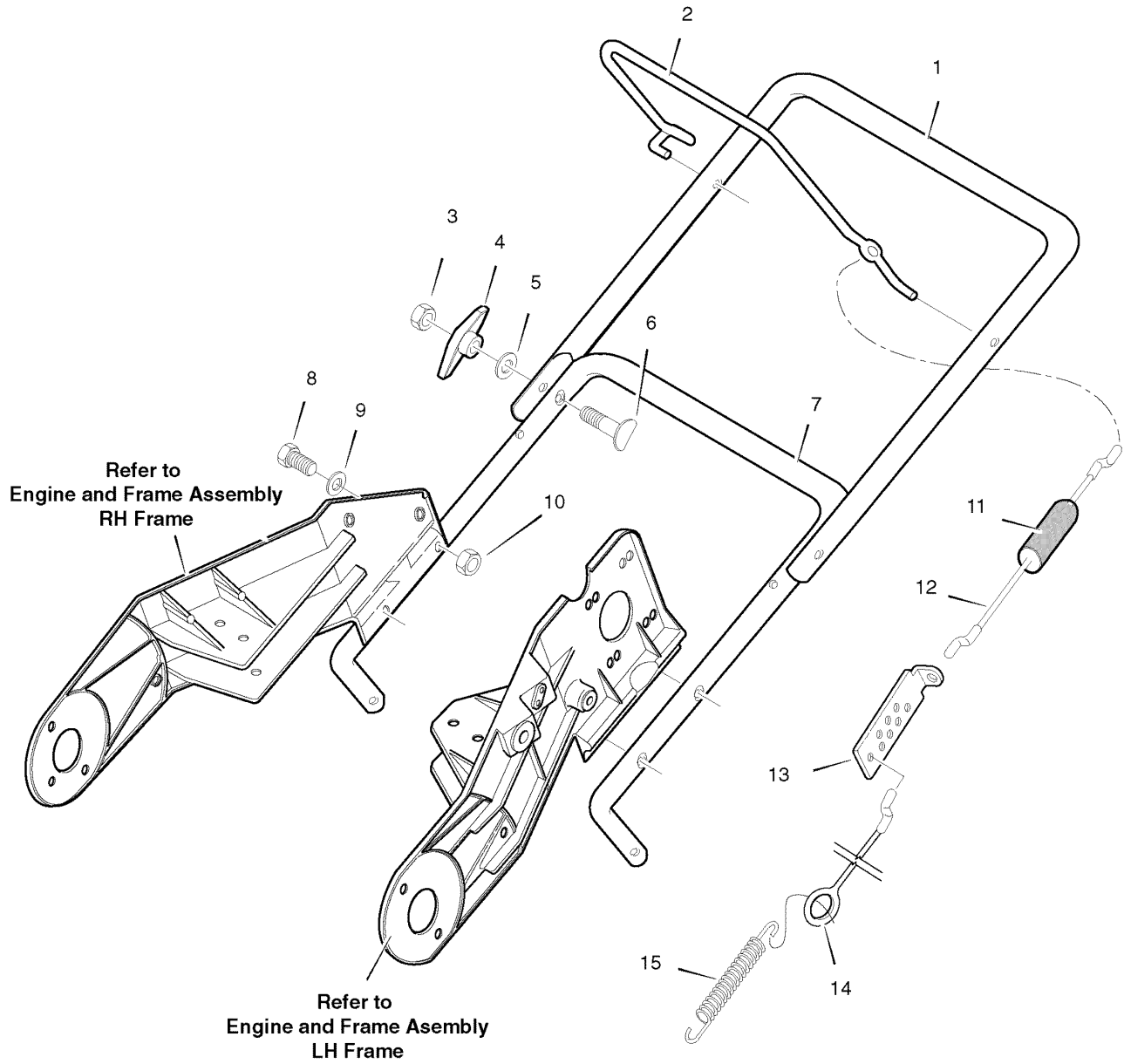
6210530x37NA 5021R

6210540x37NA 5021E

Handle Assembly

0011

NOTE: Unless noted otherwise,
use the standard hardware torque
specification chart.



The above parts group applies to the following Mfg. Nos.:

6210530x37NA 5021R

6210540x37NA 5021E

Handle Assembly

REF NO	PART NO.	DESCRIPTION
1	601 50 51 96	HANDLE, UPPER
2	601 50 51 97	BAIL, CONTROL
3	601 50 51 29	NUT, 5/16-18 HEX
4	601 40 00 69	KNOB, WING
5	601 00 24 13	WASHER, FORM .344 I.D.
6	601 00 21 50	BOLT, 5/16-18 X 2.00
7	601 50 51 99	HANDLE, LOWER
8	601 50 51 69	SCREW, 1/4-20 X 1.25
9	601 40 00 80	WASHER, FLAT .281 X .63 X .065
10	601 40 00 86	NUT, .25-20 HEX CONTROL LOCK
11	601 00 13 95	BOOT, CLUTCH SPRING
12	601 00 13 92	CABLE, UPPER CONTROL
13	601 00 13 93	BRACKET, CABLE ADJUST
14	601 00 13 94	CABLE, LOWER CONTROL
15	601 00 13 96	SPRING, EXTENSION .75 O.D. X .069 X 2.00

Footnotes

The above parts group applies to the following Mfg. Nos.:

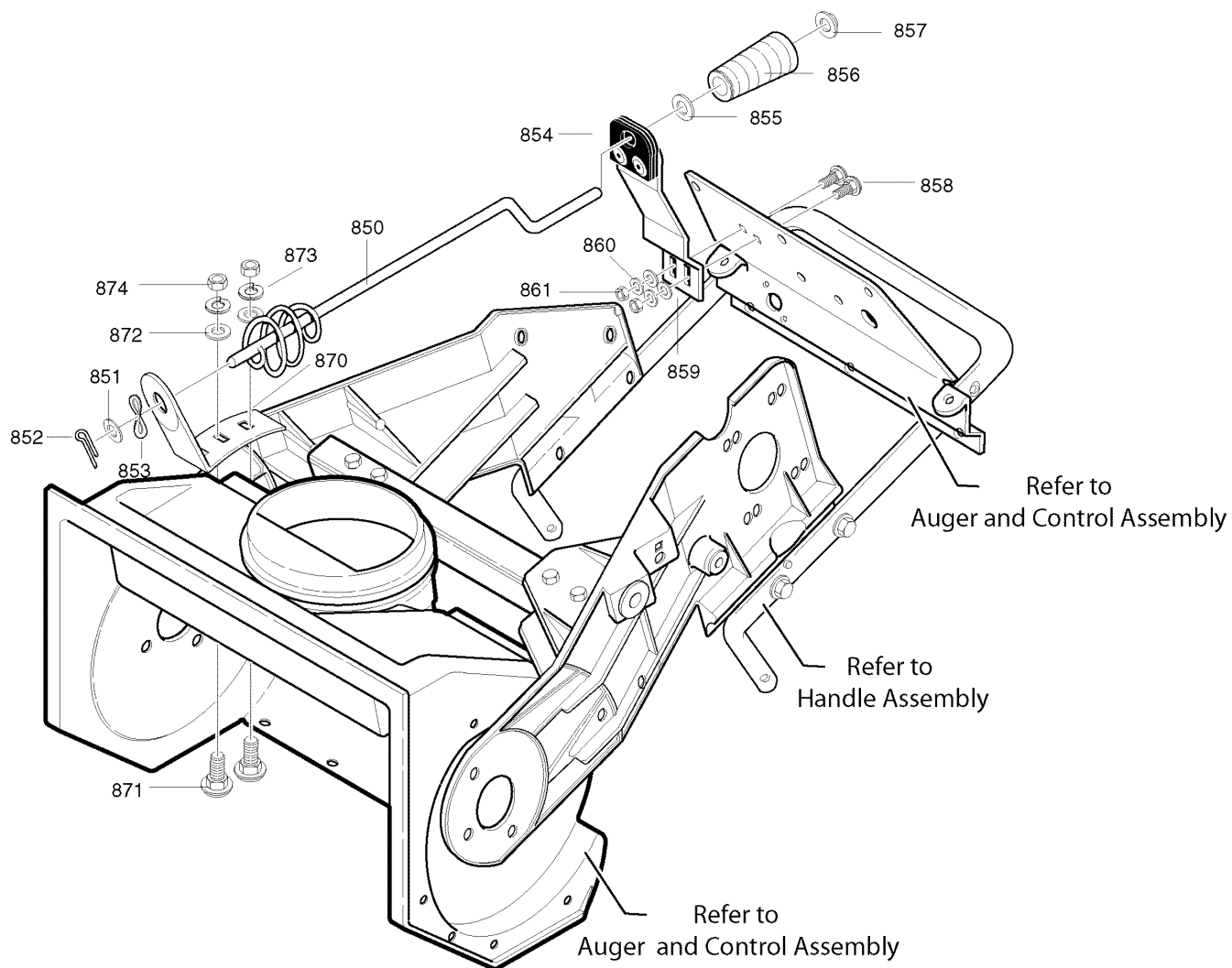
6210530x37NA 5021R

6210540x37NA 5021E

Chute Rod Assembly

0009

NOTE: Unless noted otherwise,
use the standard hardware torque
specification chart.



The above parts group applies to the following Mfg. Nos.:

6210530x37NA 5021R

6210540x37NA 5021E

Chute Rod Assembly

REF NO	PART NO.	DESCRIPTION
850	601 50 51 80	ROD, CHUTE
851	601 40 00 82	WASHER, FLAT .406 X .81 X .066
852	601 50 51 81	PIN, COTTER
853	601 00 14 04	WASHER, CURVED SPRING
854	601 50 51 82	ASSY, CHUTE CRANK BRACKET
855	601 40 00 82	WASHER, FLAT .406 X.81 X .066
856	601 00 14 05	KNOB, SLEEVE
857	601 00 18 17	NUT, PUSH
858	601 50 51 83	BOLT, 1/4-20 X .63 CARRIAGE
859	601 40 00 81	WASHER, FLAT .349 X .69 X .065
860	601 40 00 79	WASHER, SPLIT LOCK .31 X .58 X .08
861	601 50 51 35	NUT, 1/4-20 HEX
870	601 50 51 85	BRKT, CHUTE ROTATE
871	601 00 14 11	BOLT, 5/16-18 X .75 CARRIAGE
872	601 40 00 81	WASHER, FLAT .349 X .69 X .065
873	601 40 00 79	WASHER, SPLIT LOCK .31 X .58 X .08
874	601 50 51 29	NUT, 5/16-18 HEX

Footnotes

The above parts group applies to the following Mfg. Nos.:

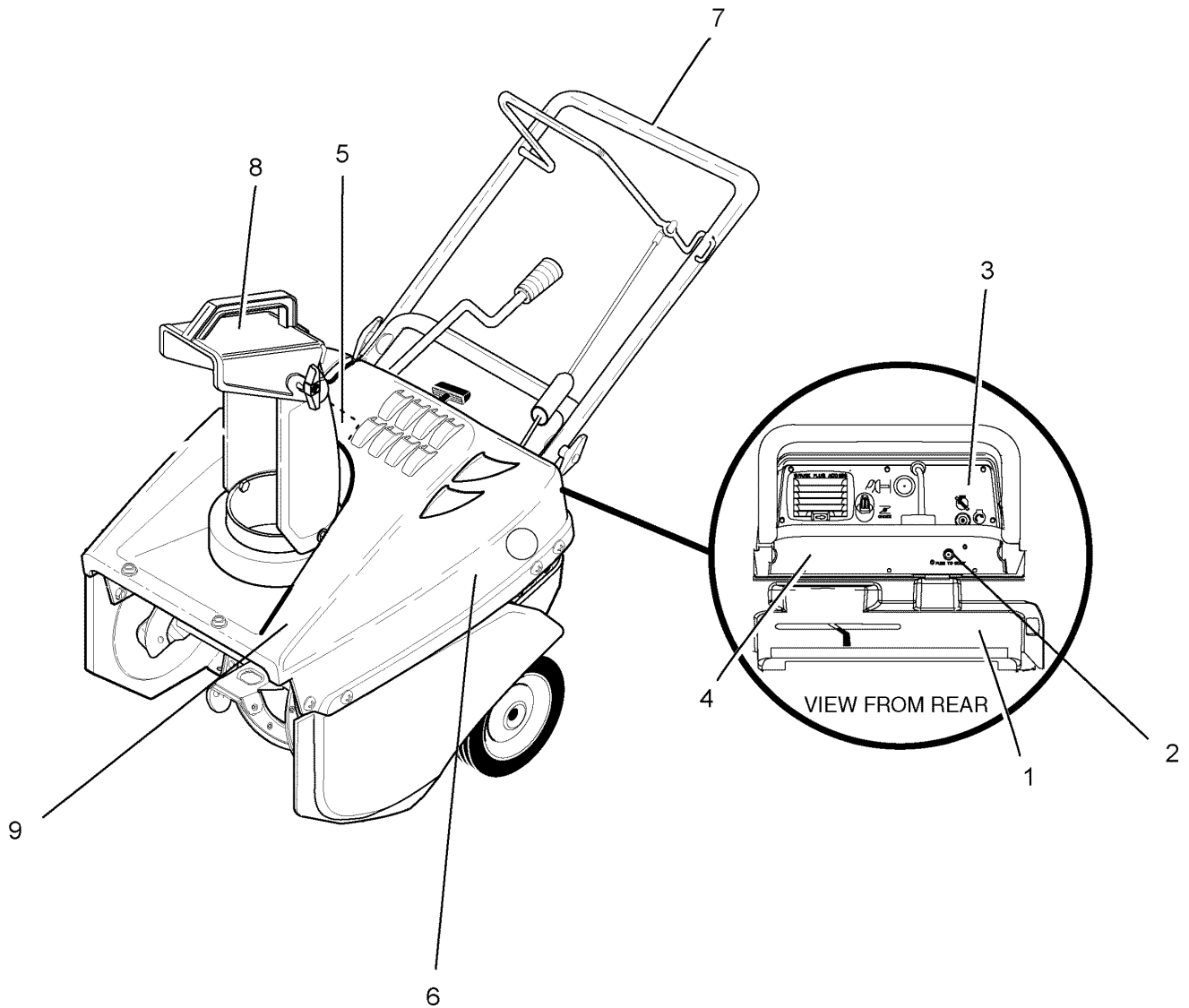
6210530x37NA 5021R

6210540x37NA 5021E

Decals

NOTE: Unless noted otherwise,
use the standard hardware torque
specification chart.

0015



The above parts group applies to the following Mfg. Nos.:

6210530x37NA 5021R

6210540x37NA 5021E

Decals

REF NO	PART NO.	DESCRIPTION
1	----	* DECAL, EPA, MASS
2	601 50 51 75	DECAL, ELECTRIC START, COVER UP (Used on Model 6210530x37NA 5021R Only)
2	601 50 52 01	DECAL, ELECTRIC START (Used on Model 6210540x37NA 5021E Only)
3	601 50 51 55	DECAL, DASH PANEL (Used on Model 6210530x37NA 5021R Only)
3	601 50 52 03	DECAL, DASH PANEL (Used on Model 6210540x37NA 5021E Only)
4	601 40 00 11	DECAL, HUSQVARNA
5	601 40 00 16	DECAL, HUSQVARNA 5021R (Used on Model 6210530x37NA 5021R Only)
5	601 40 00 15	DECAL, HUSQVARNA 5021E (Used on Model 6210540x37NA 5021E Only)
6	601 40 00 77	DECAL, WARNING HOT MUFFLER
7	601 50 51 79	DECAL, AUGER CONTROL
8	601 40 00 67	DECAL, DANGER CHUTE
9	601 00 23 29	DECAL, DANGER AUGER, FOOT

Footnotes

Note * Not a serviceable part.

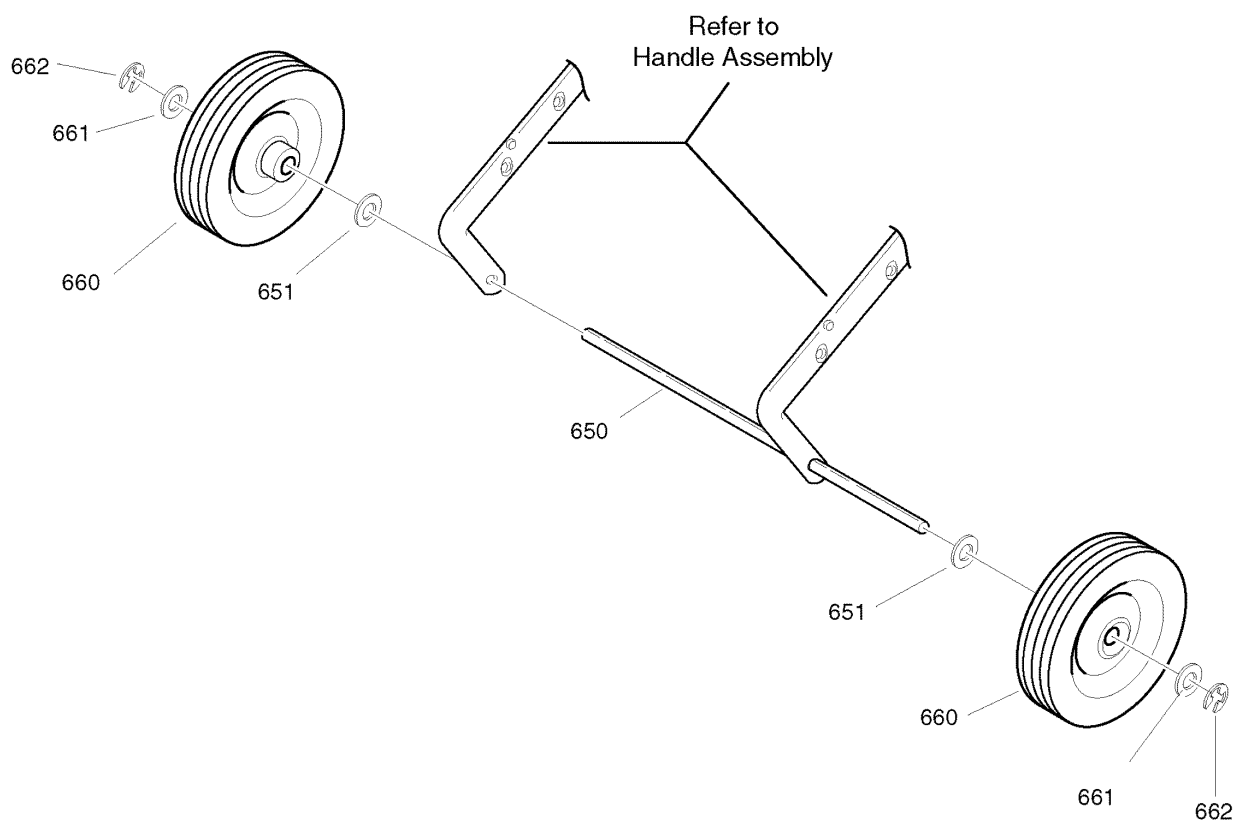
The above parts group applies to the following Mfg. Nos.:

6210530x37NA 5021R
6210540x37NA 5021E

Wheels

0013

NOTE: Unless noted otherwise,
use the standard hardware torque
specification chart.



The above parts group applies to the following Mfg. Nos.:

6210530x37NA 5021R

6210540x37NA 5021E

Wheels

REF NO	PART NO.	DESCRIPTION
650	601 50 51 70	AXLE, 20.53 WHEEL 20/21
651	601 50 51 71	WASHER, FLAT .391 X 1.00 X .125
660	601 50 51 72	TIRE & RIM 7 X 1.50
661	601 50 51 71	WASHER, FLAT .391 X 1.00 X .125
662	601 40 00 72	RING, RETAINER E

Footnotes

The above parts group applies to the following Mfg. Nos.:

6210530x37NA 5021R

6210540x37NA 5021E